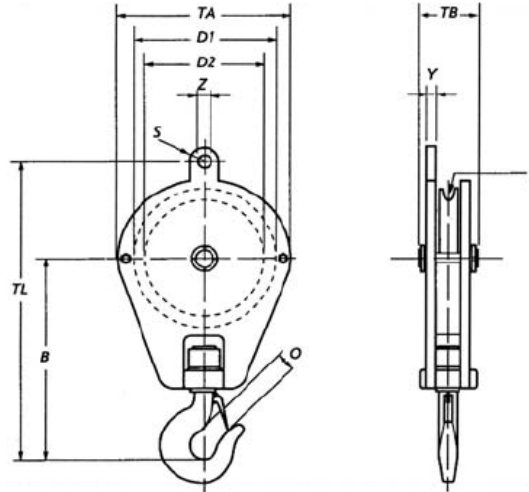




VAN MECHELEN CRANE BLOCKS



Made in Holland



⚠ Never Exceed Working Load Limit

Model No.	Working Load Limit (US tons)	Wire Rope Size (in.)	D1	D2	B	O	R	S	TA	TB	TL	Y	Z	Weight (lbs.)
VM.225.13.1.5	5.5	1/2"	10.2	8.7	13.8	1.4	0.3	1.1	13.0	4.3	20.1	0.8	0.98	170
VM.225.14.1.8	8.8	1/2" - 9/16"	10.2	8.6	15.4	1.6	0.3	1.3	13.0	4.7	22.1	1.1	1.22	190
VM.225.14.1.10	11	1/2" - 9/16"	10.2	8.4	16.7	2.1	0.3	1.3	13.0	5.1	23.4	1.1	1.22	220
VM.260.16.1.8	8.8	5/8"	11.8	9.9	16.5	1.6	0.3	1.3	14.6	4.3	24.0	1.1	1.22	210
VM.260.16.1.10	11	5/8"	11.8	9.9	17.9	2.1	0.3	1.3	14.6	4.7	25.2	1.1	1.22	230

