



ALLOY TOW PLATES



Made in Argentina



Each plate is ABS certified and certificates are provided.

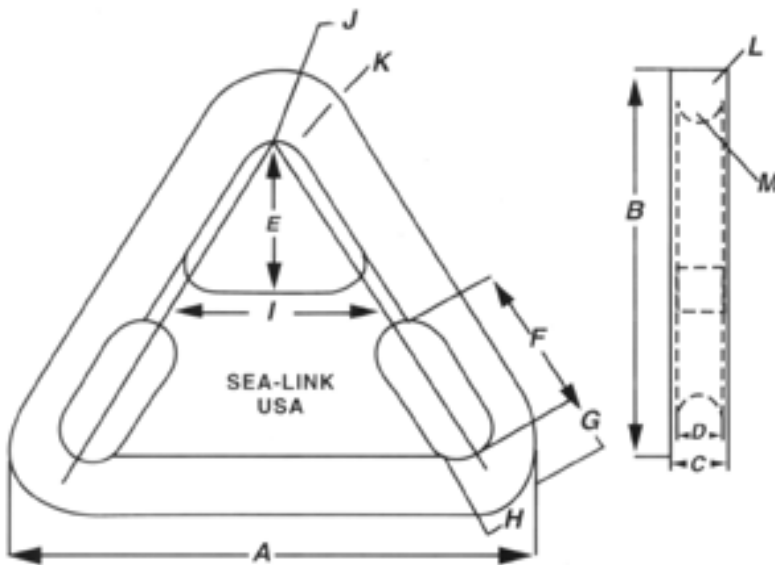


Plate	Shackle Size	A	B	C	D	E	F	G	H	I	J	K	L	M	Weight in lbs.	Proof Load in lbs.
No. 1	1 1/2"-2"	17 1/2"	16"	2 1/4"	1 3/4"	5 1/2"	5 3/8"	2"	2 1/4"	6"	2 1/2"	1"	1/4"	2 1/4"	65	300,000
No. 2	2 1/4"-3"	22 1/2"	23"	3"	2"	7"	7"	3"	3 1/4"	7"	4"	1 1/2"	3/8"	3"	165	485,000
No. 3	3 1/2"-4"	31"	31"	4"	3"	10"	10"	4"	4 3/8"	10"	6"	2"	3/8"	4"	550	624,000