



SEA-LINK CARGO HOIST BLOCKS



Made in Peru

FEATURES

- Heavy duty design.
- Hot dipped galvanized.
- Swivel fitted with thrust bearing.
- Sheave fitted with high speed roller bearings.
- ABS Certified



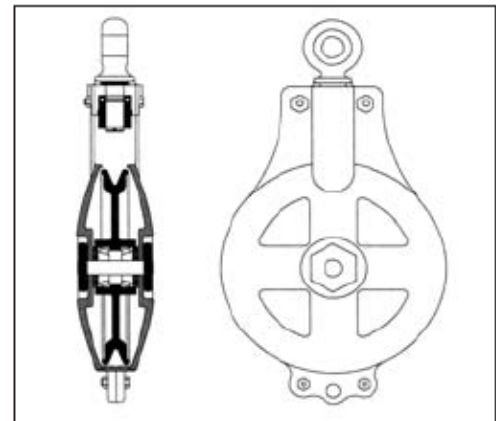
WITH DRILLED SWIVEL EYE

Sheave Size (in.)	Model No.	Rope Dia. (in.)	Center Pin Size (in.)	Wt. (lbs.)	Working Load Limit (lbs.)
12	SL561R-12DS	3/4"	1.2"	95	10,000
14	SL561R-14DS	7/8"	1.4"	100	20,000
16	SL561R-16DS	1"	1.6"	130	20,000

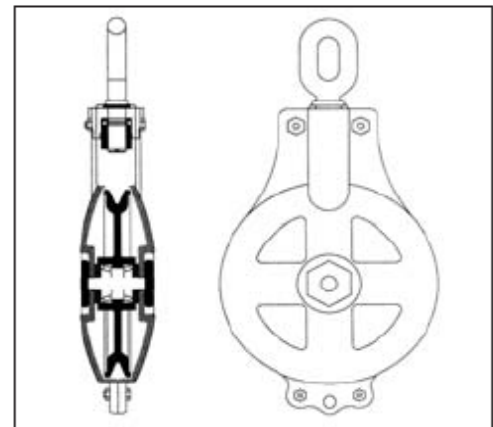
WITH OBLONG EYE

Sheave Size (in.)	Model No.	Rope Dia. (in.)	Center Pin Size (in.)	Wt. (lbs.)	Working Load Limit (lbs.)
12	SL561R-12OS	3/4"	1.2"	95	10,000
14	SL561R-14OS	7/8"	1.4"	100	20,000
16	SL561R-16OS	1"	1.6"	130	20,000

Never Exceed Working Load Limit



Cargo Block with Swivel Eye



Cargo Block with Oblong Eye