



ROPEBLOCK SNATCH & TILT-UP STYLE BLOCKS



ROPEBLOCK

Made in Holland



ISO 9001 Certified

SNATCH BLOCKS & TILT-UP STYLE BLOCKS



SIZES FROM 22 TONS to
130 TONS *IN STOCK*

EXTRA HEAVY DUTY
DESIGN



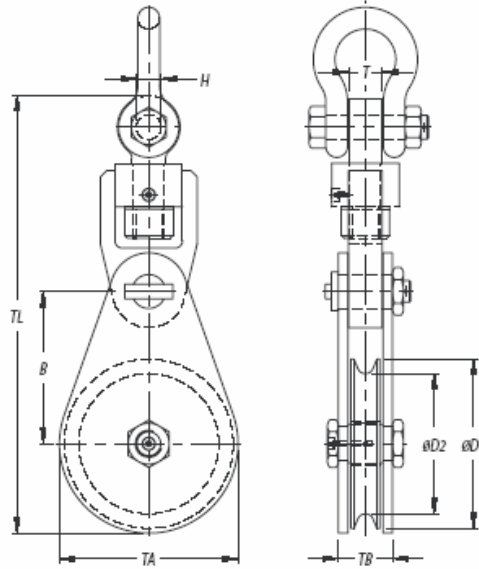


ROPEBLOCK SNATCH & TILT-UP STYLE BLOCKS





ROPEBLOCK SNATCH BLOCKS



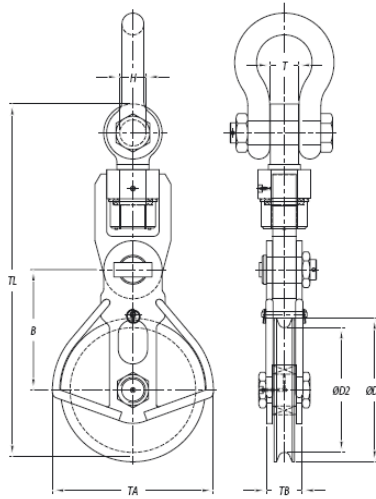
Model	SWL - U.S. Tons	Sheave Size - Nominal	For Wire Rope	D1	D2	B	H	T	TA	TB	TL	Weight (lbs.)
VB.240.28.1.20.S	22 tons	12"	1" - 1-1/8"	11-13/16"	9-1/2"	10-1/16"	1-7/16"	2"	12-1/4"	3-1/4"	28-1/2"	120
VB.300.28.1.20.S	22 tons	14"	1" - 1-1/8"	14-3/8"	11-13/16"	11-15/16"	1-7/16"	2"	14-3/4"	3-1/4"	31-1/4"	130
VB.240.28.1.25.S	27.5 tons	12"	1" - 1-1/8"	11-13/16"	9-1/2"	10-1/16"	1-7/16"	2-1/8"	12-1/4"	3-5/16"	28-5/8"	125
VB.300.28.1.25.S	27.5 tons	14"	1" - 1-1/4"	14-3/8"	11-13/16"	11-15/16"	1-9/16"	2-1/4"	14-3/4"	3-5/16"	31-1/4"	140
VB.345.32.1.32.S	35 tons	16"	1" - 1-1/4"	15-3/4"	13-9/16"	12-3/4"	2-1/16"	2-3/4"	16-1/8"	4-7/16"	37-5/16"	265
VB.345.36.1.32.S	35 tons	16"	1-1/8" - 1-3/8"	15-3/4"	13-9/16"	12-3/4"	2-1/16"	2-3/4"	16-1/8"	4-7/16"	37-5/16"	265
VB.390.32.1.32.S	35 tons	18"	1" - 1-1/4"	17-11/16"	15-1/4"	13-3/4"	2-1/16"	2-3/4"	18-1/2"	4-7/16"	39-1/2"	310
VB.390.36.1.32.S	35 tons	18"	1-1/4" - 1-3/8"	17-11/16"	15-1/4"	13-3/4"	2-1/16"	2-3/4"	18-1/2"	4-7/16"	39-1/2"	310
VB.430.32.1.32.S	35 tons	20"	1" - 1-1/4"	19-1/2"	17"	14-3/4"	2-1/8"	2-3/4"	20"	4-7/16"	41-1/4"	330
VB.430.38.1.32.S	35 tons	20"	1-1/4" - 1-1/2"	19-1/2"	17"	14-3/4"	2-1/8"	2-3/4"	20"	4-7/16"	41-1/4"	330
VB.430.32.1.36.5.S	40 tons	20"	1-1/8" - 1-1/4"	19-1/2"	16-15/16"	15-3/4"	2-1/16"	2-3/4"	20"	4-13/16"	42-11/16"	440
VB.430.38.1.36.5.S	40 tons	20"	1-1/8" - 1-1/2"	19-1/2"	16-15/16"	15-3/4"	2-1/16"	2-3/4"	20"	4-13/16"	42-11/16"	440
VB.520.38.1.55.S	60 tons	24"	1-1/2"	23-1/2"	20-1/2"	18-1/8"	2-5/16"	3-1/8"	24"	5-9/16"	50-3/8"	680
VB.520.44.1.55.S	60 tons	24"	1-3/4"	23-1/2"	20-1/2"	18-1/8"	2-5/16"	3-1/8"	24"	5-9/16"	50-3/8"	680

- ◆ Blocks designed with 4:1 safety factor.
- ◆ All blocks individually proof load tested and stamped with certification number, model number, proof load and working load limit.
- ◆ Manufactured from high tensile alloy steel.
- ◆ Sheaves fitted with bronze bushing and grease zerk.
- ◆ Open type swivel with bronze thrust bearing. Lubricated through countersunk grease zerk fitting.





ROPEBLOCK TILT-UP BLOCKS WITH SHACKLE



ROPEBLOCK

Made in Holland



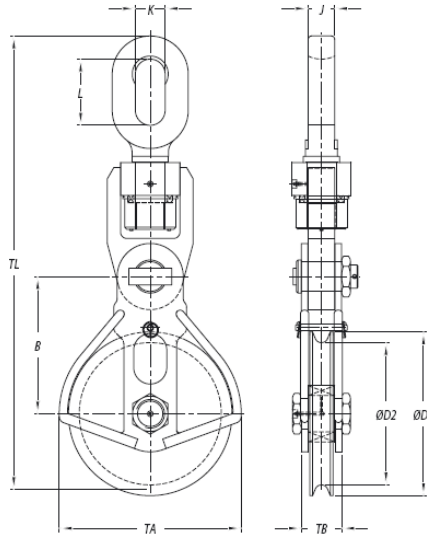
Model	SWL - U.S. Tons	Sheave Size - Nominal	For Wire Rope	D1	D2	B	H	T	TA	TB	TL	Weight (lbs.)
HCLW.240.28.1.25.S	28 tons	12"	1" - 1-1/8"	11-13/16"	9-7/16"	10-1/4"	1-9/16"	2-1/8"	14"	4"	28-3/4"	155
HCLW.290.32.1.25.S	28 tons	14"	1-1/8" - 1-1/4"	13-3/4"	11-7/16"	11-1/4"	1-9/16"	2-1/8"	16"	4"	30-11/16"	175
HCLW.355.32.1.27.S	30 tons	18"	1-1/8" - 1-1/4"	16-9/16"	14"	14-3/4"	1-3/4"	2-1/4"	18-3/4"	4-7/16"	39-1/8"	265
HCLW.430.32.1.27.S	30 tons	20"	1-1/8" - 1-1/4"	19-18/16"	16-15/16"	16-5/16"	1-3/4"	2-1/4"	21-11/16"	4-13/16"	42-1/8"	285
HCLW.355.36.1.32.S	35 tons	18"	1-1/8" - 1-3/8"	16-9/16"	14"	14-3/4"	1-3/4"	2-1/4"	18-3/4"	4-7/16"	39-1/8"	265
HCLW.430.38.1.32.S	35 tons	20"	1-1/4" - 1-1/2"	19-1/2"	16-15/16"	16-5/16"	1-3/4"	2-1/4"	21-11/16"	4-13/16"	42-1/8"	285
HCLW.430.38.1.40.S	44 tons	20"	1-1/4" - 1-1/2"	19-1/2"	16-15/16"	16-5/16"	2-1/16"	2-13/4"	21-11/16"	4-13/16"	43-5/16"	320
HCLW.520.44.1.55.S	61 tons	24"	1-1/2" - 1-3/4"	23-7/16"	20-1/2"	19-1/8"	2-13/16"	2-7/8"	25-5/8"	5-3/16"	51-7/8"	420
HCLW.520.52.1.55.S	61 tons	24"	1-3/4" - 2"	23-7/16"	20-1/2"	19-1/8"	2-13/16"	2-7/8"	25-5/8"	5-3/16"	51-7/8"	420
HCLW.630.58.1.81.S	89 tons	28"	2" - 2-1/4"	27-15/16"	24-13/16"	22-5/8"	2-13/16"	3-7/8"	30-9/16"	6"	61-7/16"	885
HCLW.760.70.1.100.S	110 tons	36"	2-1/2" - 2-3/4"	35-7/16"	29-15/16"	28-7/8"	3-3/8"	4-3/4"	38-9/16"	7-7/8"	74-7/16"	1325

- ◆ Blocks designed with 4:1 safety factor.
- ◆ All blocks individually proof load tested and stamped with certification number, model number, proof load and working load limit.
- ◆ Manufactured from high tensile alloy steel.
- ◆ Sheaves fitted with high speed double sealed roller bearings and grease zerk.
- ◆ Open type swivel with bronze thrust bearing. Lubricated through counter-sunk grease zerk fitting.





ROPEBLOCK TILT-UP BLOCKS WITH OBLONG EYE



Model	SWL - U.S. Tons	Sheave Size - Nominal	For Wire Rope	D1	D2	B	J	K	L	TA	TB	TL	Weight (lbs.)
HCLW.240.28.1.25.O	28 tons	12"	1" - 1-1/8"	11-13/16"	9-7/16"	10-1/4"	1-15/16"	2-15/16"	5-7/8"	14"	4"	37-3/16"	175
HCLW.290.32.1.25.O	28 tons	14"	1-1/8" - 1-1/4"	13-3/4"	11-7/16"	11-1/4"	1-15/16"	2-15/16"	5-7/8"	16"	4"	39-3/16"	200
HCLW.355.32.1.27.O	30 tons	18"	1-1/8" - 1-1/4"	16-9/16"	14"	14-3/4"	2-3/8"	3-1/8"	6-7/8"	18-3/4"	4-7/16"	47-1/16"	265
HCLW.430.32.1.27.O	30 tons	20"	1-1/8" - 1-1/4"	19-1/2"	16-15/16"	16-5/16"	2-3/8"	3-1/8"	6-7/8"	21-11/16"	4-7/16"	49"	310
HCLW.355.36.1.32.O	35 tons	18"	1-1/8" - 1-3/8"	16-9/16"	14"	14-3/4"	2-3/8"	3-1/8"	6-7/8"	18-3/4"	4-13/16"	49"	285
HCLW.430.38.1.32.O	35 tons	20"	1-1/4" - 1-1/2"	19-1/2"	16-15/16"	16-5/16"	2-3/8"	3-1/8"	6-7/8"	21-11/16"	4-13/16"	50-3/8"	310
HCLW.430.38.1.40.O	44 tons	20"	1-1/4" - 1-1/2"	19-1/2"	16-15/16"	16-5/16"	2-9/16"	3-9/16"	7-1/2"	21-11/16"	4-13/16"	51-7/16"	340
HCLW.520.44.1.55.O	61 tons	24"	1-1/2" - 1-3/4"	23-7/16"	20-1/2"	19-1/8"	2-3/4"	3-15/16"	8-11/16"	25-5/8"	5-3/16"	59-15/16"	440
HCLW.520.52.1.55.O	61 tons	24"	1-3/4" - 2"	23-7/16"	20-1/2"	19-1/8"	2-3/4"	3-15/16"	8-11/16"	25-5/8"	5-3/16"	59-15/16"	420
HCLW.630.58.1.81.O	89 tons	28"	2" - 2-1/4"	27-15/16"	24-13/16"	22-5/8"	3-9/16"	4-5/16"	9-13/16"	30-9/16"	6"	72-5/8"	970
HCLW.760.70.1.100.O	110 tons	36"	2-1/2" - 2-3/4"	35-7/16"	29-15/16"	28-15/16"	3-15/16"	4-15/16"	10-13/16"	38-9/16"	7-7/8"	86-1/4"	1435

- ◆ Blocks designed with 4:1 safety factor.
- ◆ All blocks individually proof load tested and stamped with certification number, model number, proof load and working load limit.
- ◆ Manufactured from high tensile alloy steel.
- ◆ Sheaves fitted with high speed double sealed roller bearings and grease zerk.
- ◆ Open type swivel with bronze thrust bearing. Lubricated through counter-sunk grease zerk fitting.





SNATCH BLOCKS WITH HOOKS

Sheave Size	Working Load Limit in Pounds	Wire Rope Size	Approx. Wt. Ea. in Lbs.
3 in.	2 tons	3/8"	5
4.5 in.	4 tons	1/2"	12
6 in.	8 tons	3/4"	28
8 in.	8 tons	3/4"	34
10 in.	8 tons	3/4"	41
12 in.	8 tons	3/4"	48

Never Exceed Working Load Limit



SNATCH BLOCKS WITH SHACKLES

Sheave Size	Working Load Limit in Pounds	Wire Rope Size	Approx. Wt. Ea. in Lbs.
3 in.	2 tons	3/8"	5
4.5 in.	4 tons	1/2"	13
6 in.	8 tons	3/4"	29
8 in.	8 tons	3/4"	36

Never Exceed Working Load Limit



TAILBOARD BLOCKS

Sheave Size	Working Load Limit in Pounds	Wire Rope Size	Approx. Wt. Ea. in Lbs.
3 in.	2 tons	3/8"	3
4.5 in.	4 tons	1/2"	8
6 in.	8 tons	3/4"	16
8 in.	8 tons	3/4"	23

Never Exceed Working Load Limit



LIGHT DUTY SNATCH BLOCKS

Sheave Size	Working Load Limit in Pounds	Wire Rope Size	Approx. Wt. Ea. in Lbs.
3 in.	1 tons	3/8"	3
4 in.	2 tons	3/8"	4

Never Exceed Working Load Limit

