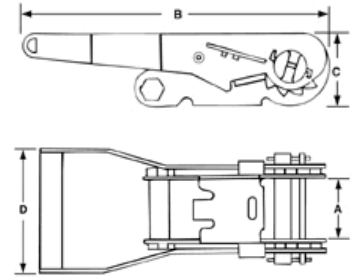




TIE-DOWN RATCHET HANDLES



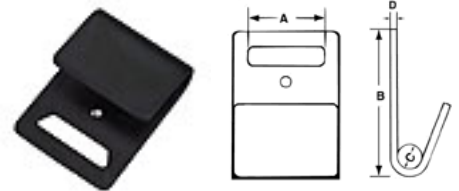
Ratchet	A (in.) Web Size	B (in.)	C (in.)	D (in.)	W.L.L. (lbs.)	Min. Breaking Strength (lbs.)	Wt. Ea.
1" Heavy Duty	1.06	5.12	1.57	2.36	1,100	3,300	0.78
2" Heavy Duty Ratchet with Long/ Wide Handle	2.13	9.17	2.36	4.09	3,335	10,000	2.45
3" Heavy Duty	3.00	13.07	3.62	4.33	7,333	22,000	6.42
4" Heavy Duty	4.09	12.68	3.35	5.31	8,000	24,000	7.94



Never Exceed Working Load Limit

FLAT HOOKS

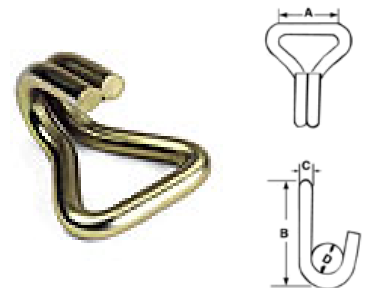
Hook	A (in.) Web Size	B (in.)	C (in.)	D (in.)	W.L.L. (lbs.)	Min. Breaking Strength (lbs.)	Wt. Ea.
2" Flat Hook	1.90	3.82	0.65	0.18	3,335	3,300	0.72
Flat Hook for 3" & 4" Webbing	2.70	3.82	0.65	0.2	5,000	15,000	1.14



Never Exceed Working Load Limit

J-HOOKS

Hook	A (in.) Web Size	B (in.)	C (in.)	D (in.)	W.L.L. (lbs.)	Min. Breaking Strength (lbs.)	Wt. Ea.
1"	1.06	2.36	0.28	0.79	1,000	3,000	0.14
2"	1.97	3.35	0.47	1.00	3,335	10,000	1.14
Hook for 3" & 4" Webbing	2.99	4.72	0.62	0.79	6,667	20,000	1.39



Never Exceed Working Load Limit

VINYL COATED S-HOOKS

Hook	A (in.) Web Size	B (in.)	C (in.)	D (in.)	W.L.L. (lbs.)	Min. Breaking Strength (lbs.)	Wt. Ea.
1"	1.00	3.27	0.31	0.98	500	1,500	0.17




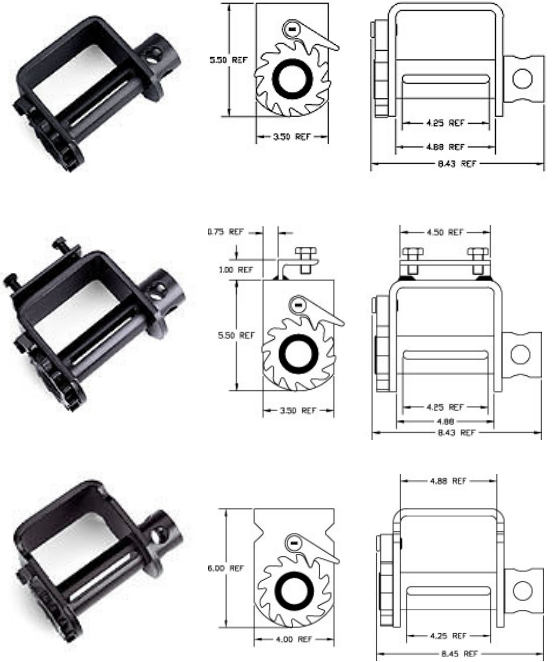
Never Exceed Working Load Limit



WEB STRAP WINCHES

Winch	Max. Web Size (in.)	Capacity (ft.)	W.L.L. (lbs.)	Min. Breaking Strength (lbs.)	Wt. Ea.
Weld-On	4.00	30	5,500	16,500	9.2
Portable Bolt-On	4.00	30	500	1,500	10.5
Sliding Type	4.00	20	500	1,500	10.3

 Never Exceed Working Load Limit



WINCH BARS



PLASTIC CORNER PROTECTORS

For 2" and combination 3"/4" web straps.

